



US00D428939S

United States Patent [19]

[11] Patent Number: Des. 428,939

Ota et al.

[45] Date of Patent: ** Aug. 1, 2000

[54] CARTRIDGE FOR GAME MACHINE

D. 381,977	8/1997	Nagata et al.	D14/121
D. 412,187	7/1999	Nakagawa et al.	D21/332
4,865,321	9/1989	Nakagawa et al.	463/29
5,362,068	11/1994	Liu	463/44

[75] Inventors: Masahiko Ota; Takashi Ohno, both of Kyoto, Japan

[73] Assignee: Nintendo Co., Ltd., Japan

Primary Examiner—Prabhakar Deshmukh
Attorney, Agent, or Firm—Nixon & Vanderhye P.C.

[**] Term: 14 Years

[57] CLAIM

[21] Appl. No.: 29/100,207

The ornamental design for a “cartridge for game machine,” as shown and described.

[22] Filed: Feb. 5, 1999

DESCRIPTION

[51] LOC (7) Cl. 21-01

[52] U.S. Cl. D21/332

[58] Field of Search D14/114, 120, D14/121, 217, 299; D21/332, 333; 273/148 B; 463/1, 30, 43-47; 360/132, 133; 242/348, 341, 335; 369/291, 292, 77.2, 25.1

FIG. 1 is a top plan view of a cartridge for a game machine; FIG. 2 is a front elevational view thereof; FIG. 3 is a rear elevational view thereof; FIG. 4 is a left side view thereof; FIG. 5 is a right side view thereof; FIG. 6 is a top, front and right side perspective view thereof; and, FIG. 7 is a top, rear and left side perspective view thereof. The bottom is unornamented.

[56] References Cited

U.S. PATENT DOCUMENTS

D. 315,903	4/1991	Nakauma	D14/121
D. 318,273	7/1991	Takaichi	D14/121

1 Claim, 4 Drawing Sheets

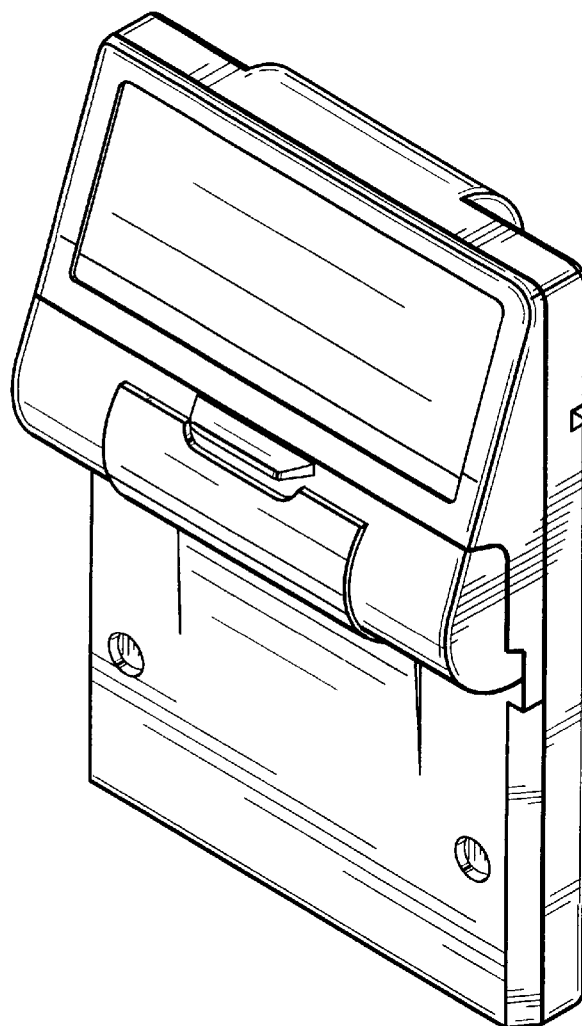




Fig. 1

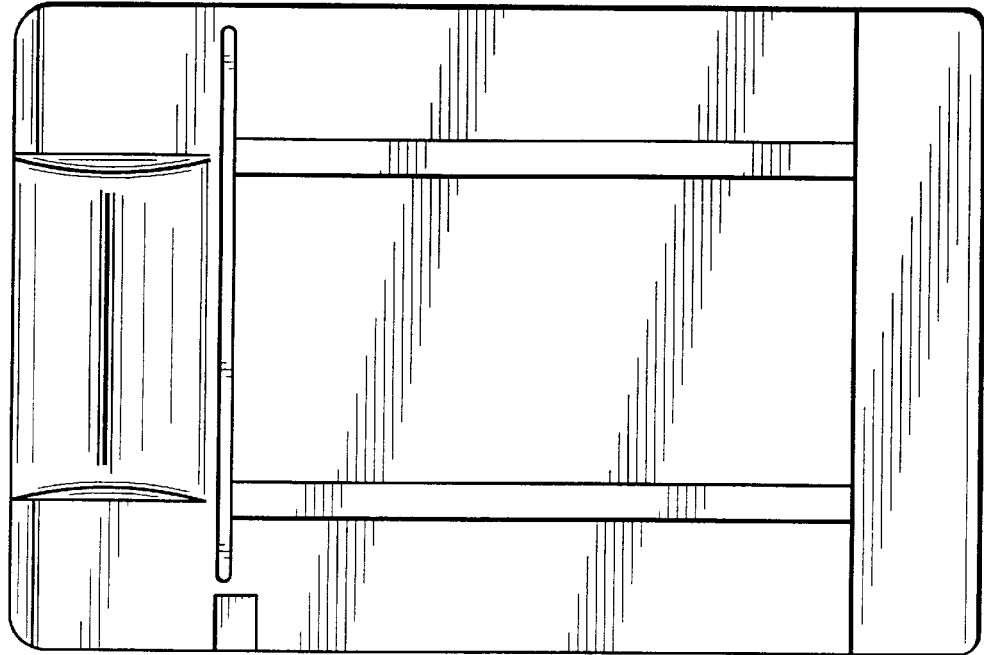


Fig.3

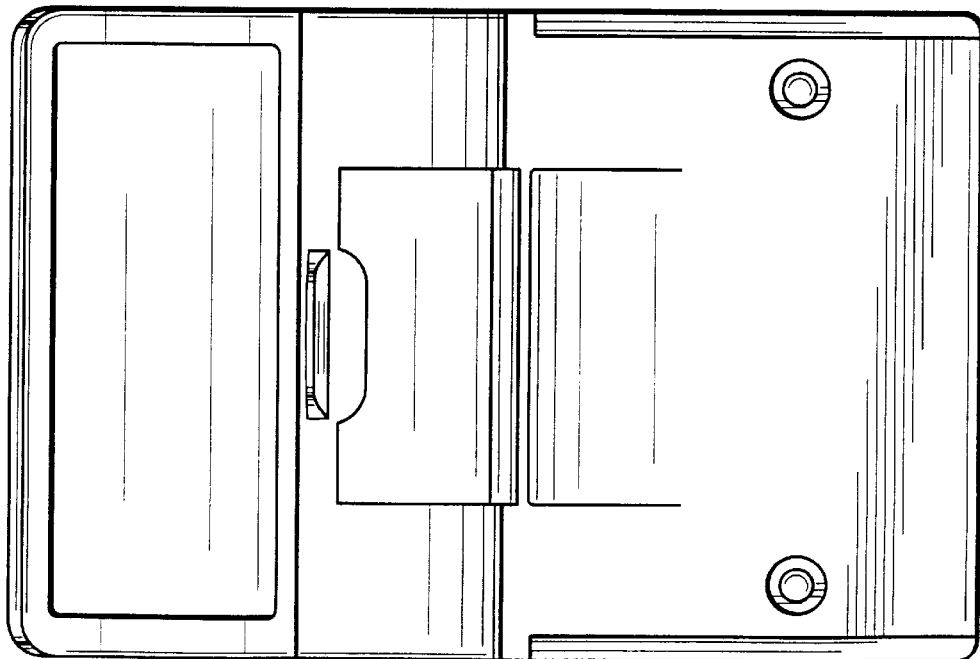


Fig.2

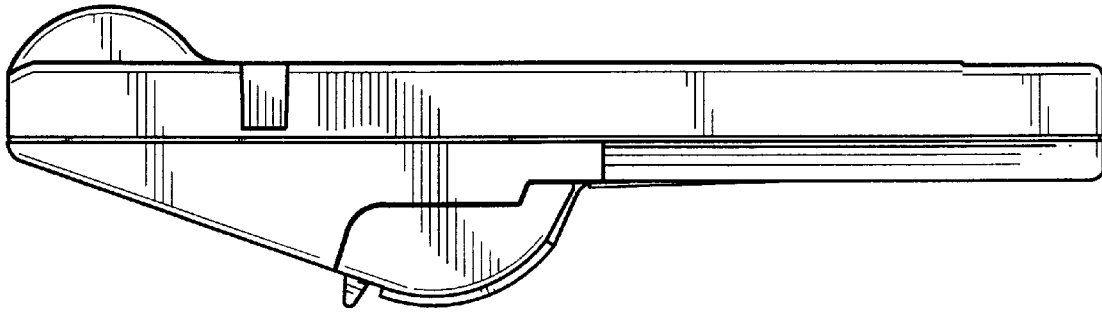


Fig. 5

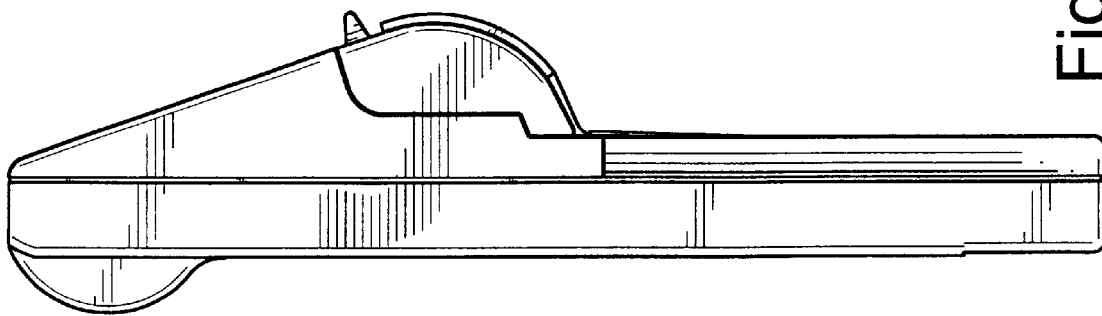


Fig. 4

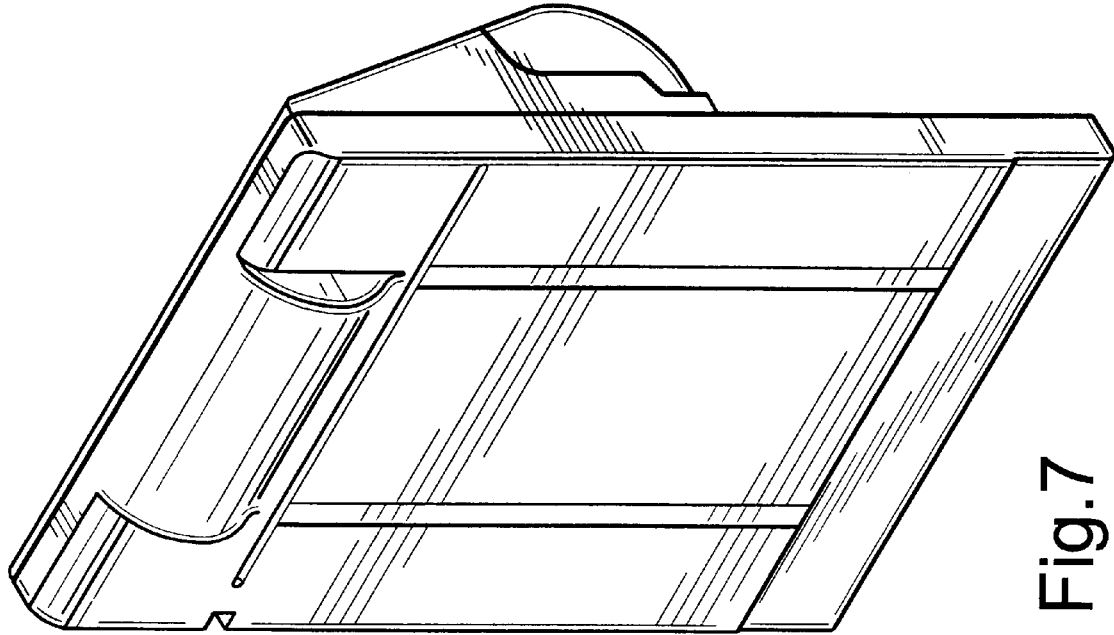


Fig. 7

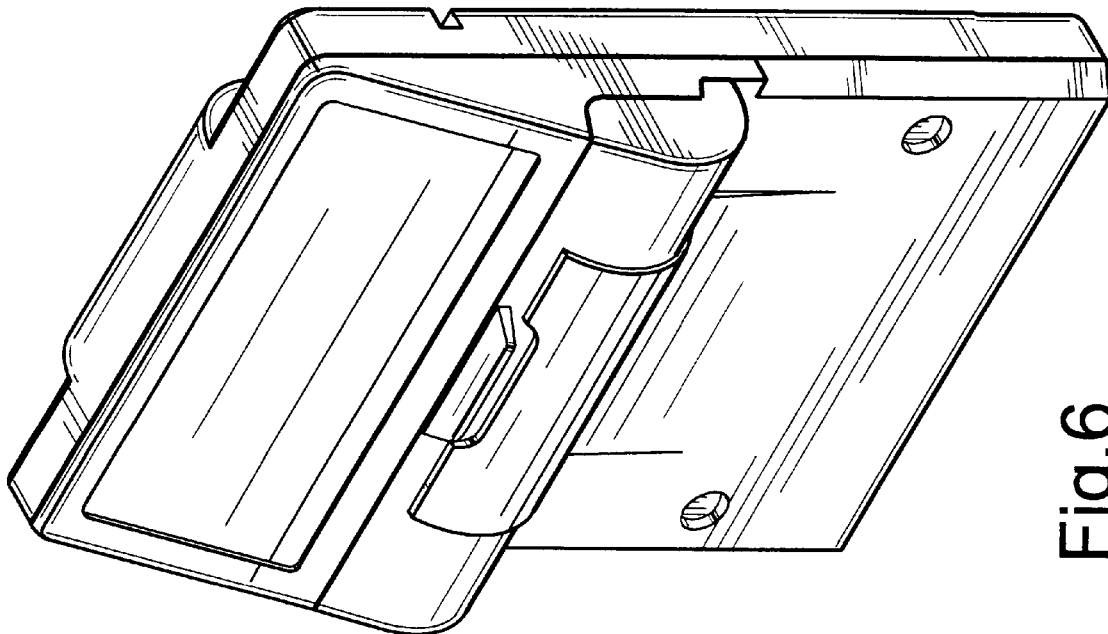


Fig. 6